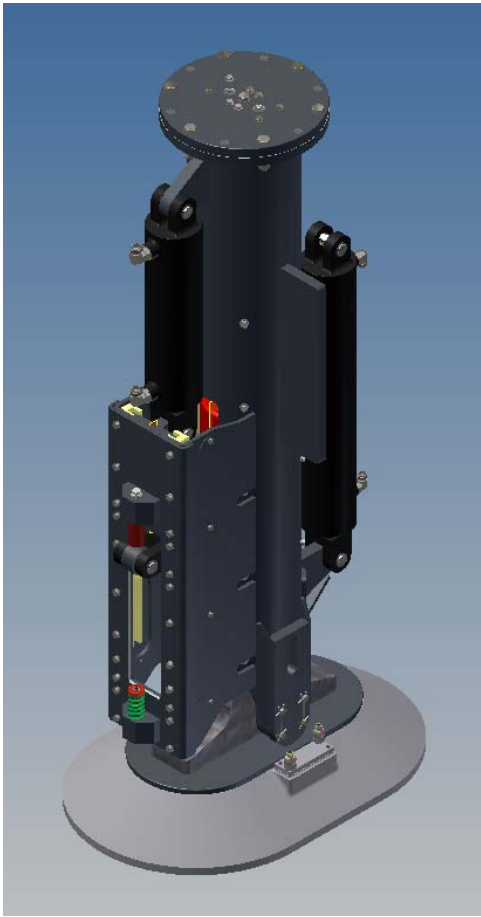




AF750 HAMMER



Consult USAI for application specific baseplate options.

United Service Alliance is pleased to announce the release of a new family of autofire accelerated impact energy sources! All units feature improved cocking geometry, upgraded nitrogen springs, enclosed latching mechanisms, and enclosed hammers for optimum safety, reliability, and performance!

	<i>Specifications *</i>	<i>Features / Notes</i>
<i>Model</i>	AF750	Autofire, P wave
<i>Assembly weight</i>	3454 lbs (1607 kg)	
<i>Overall height</i>	92 in (234 cm)	
<i>Hammer weight</i>	750 lbs (340 kg)	
<i>Flight distance</i>	16.50 in (42 cm)	Fully enclosed
<i>Nitrogen spring</i>	Dual	Serviceable
<i>Nitrogen pressure range</i>	500-2000 psi (34.5-138 bar)	Regulated, adjustable

* Preliminary specification. Data subject to change without notice.

